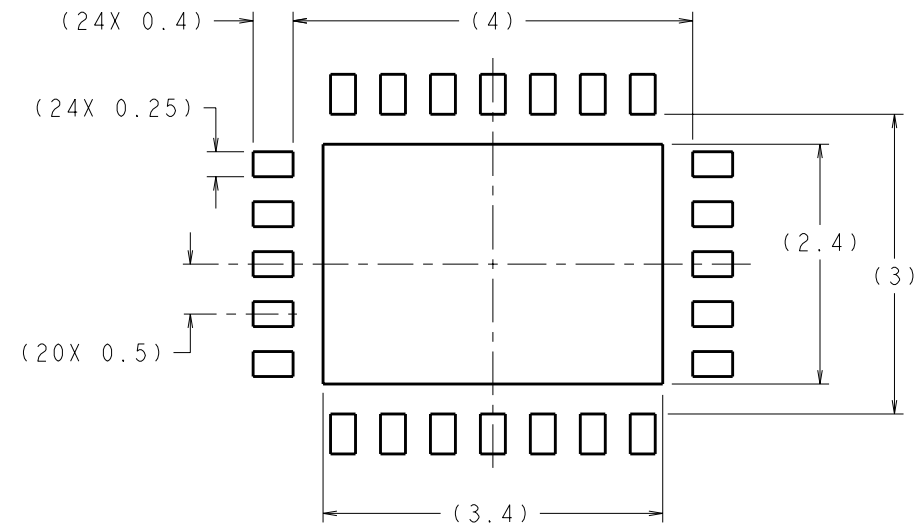
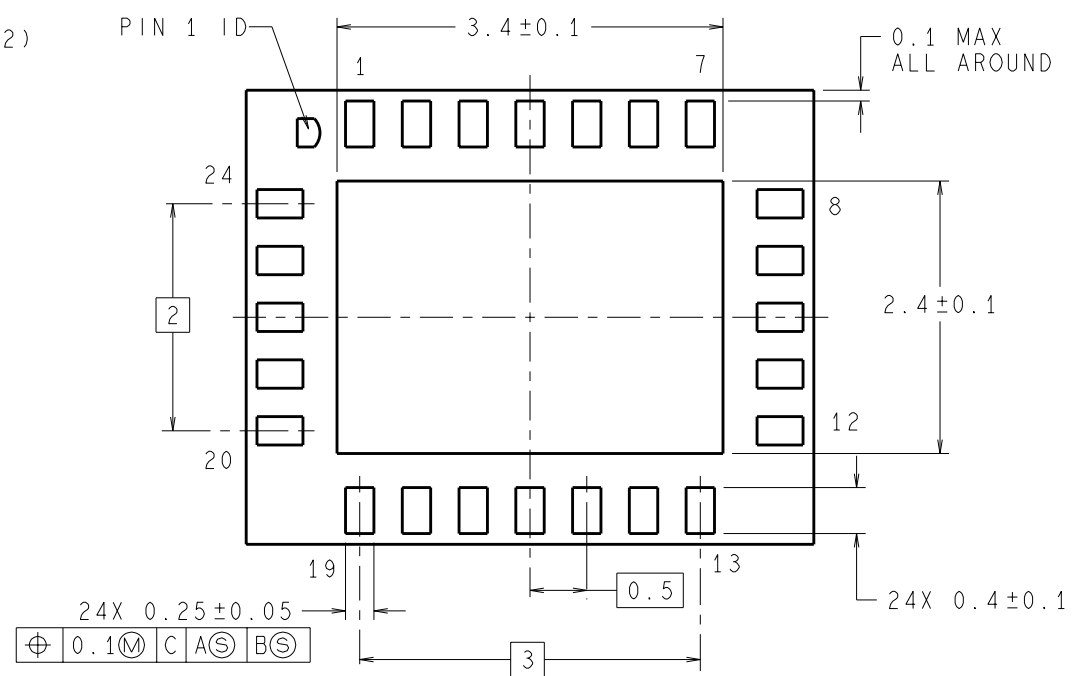
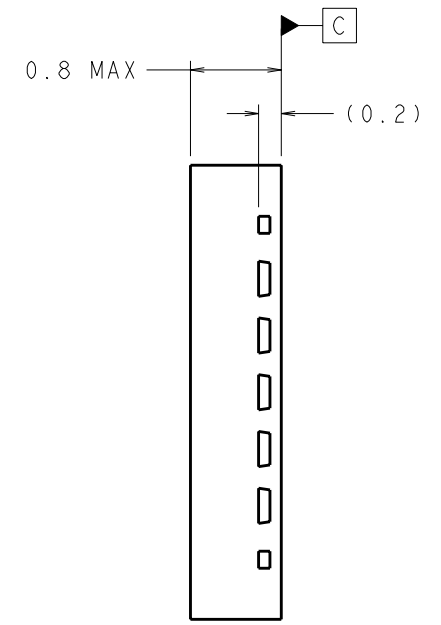
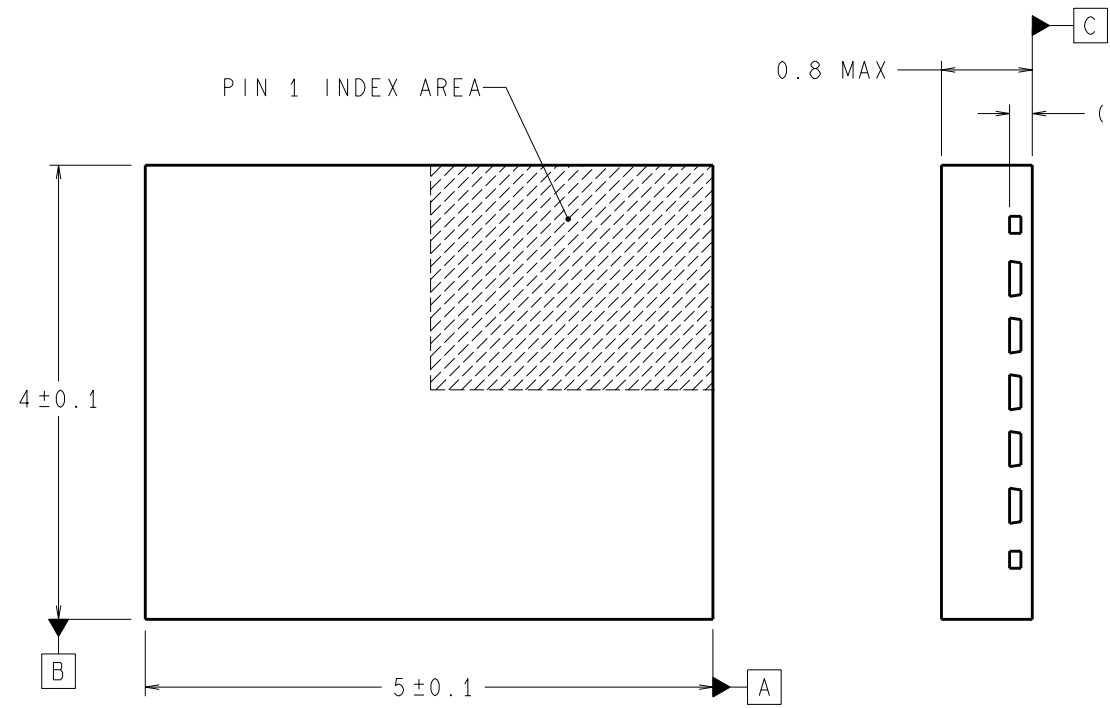


REVISIONS				
LTR	DESCRIPTION	E.C.N.	DATE	BY/APP'D
A	RELEASE TO DOCUMENT CONTROL	12436	04/04/2000	SN/TL/JB



RECOMMENDED LAND PATTERN
1:1 RATION WITH PKG SOLDER PADS

DIMENSIONS ARE IN MILLIMETERS



NOTES: UNLESS OTHERWISE SPECIFIED

- STANDARD LEAD FINISH TO BE 5.08 MICROMETERS MINIMUM LEAD/TIN (SOLDER) ON COPPER.
- NO JEDEC REGISTRATION AS OF MARCH 2000.

APPROVALS		DATE		 National Semiconductor 2900 Semiconductor Dr., Santa Clara, CA 95052-8090			
DRAWN W. SANTHIRAN & TL		04/04/2000					
DFTG. CHK. MARTA SUCHY		04/04/2000					
ENGR. CHK. JAIME BAYAN		04/04/2000					
 PROJECTION INCH [MM]				SCALE N/A	SIZE C	DRAWING NUMBER (SC)MKT-LQA24A	REV A
FORMERLY: N/A				SHEET 1 of 1			